



Model No.	VE226120MR
Ballast Type	Electronic
Family	Stratus
Input Voltage	120V
Lamp Operation	Parallel
Starting Method	Program Start

PRODUCT SPECIFICATIONS

ELECTRONIC BALLAST

Lamp Type	No. of Lamps	Input Voltage (V)	Input Current (A)	Input Power (W)	Power Factor	MAX THD (%)	Ballast Factor	Min. Starting Temp. (F)	Lamp Current Crest Factor	B.E.F.
CFQ26W/G24q	2	120	0.68	45	0.50	150	0.88	0	1.7	1.96
CFTR26W/GX24q	2	120	0.68	45	0.50	150	0.88	0	1.7	1.96
CFQ26W/G24q	1	120	0.50	26	0.50	150	0.90	0	1.7	1.96
CFTR26W/GX24q	1	120	0.50	26	0.50	150	0.90	0	1.7	1.96

Performance:

- Meets ANSI Standard C82. 11-2005
- Meets ANSI Standard C62. 41-2002
- Meets FCC Part 18

Safety:

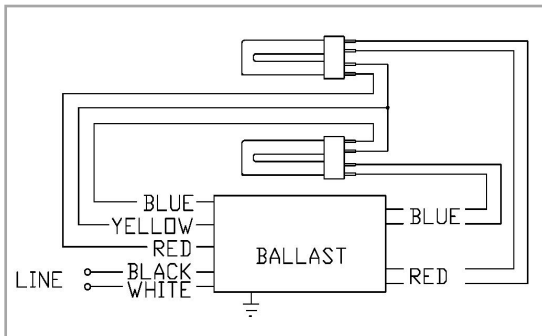
- No PCB's
- UL and CUL Listed (Class P, Type 1 Outdoor)

Application:

- Remote Mounting: 18ft. max. Lead length, 18AWG
- Maximum Ambient Temperature: 105F
- Sound Rated: A

Physical Parameters

Wiring Diagram



Enclosure

	in.
Length	6.00In
Width	1.8In
Height	1.1In
Mounting	5.75In
Weight	

Lead Length

	in.(+/-1.0)
Black	
White	
Red	
Blue	
Yellow	

Specification data is based on tests performed in a controlled environment and represents relative performance. Actual performance can vary depending on operating conditions. Application and performance data subject to change without notice. All specifications are nominal unless noted otherwise.

ESPEN Technology, Inc.

12257 Florence Ave. • Santa Fe Springs, CA 90670
 Phone: (562)529-2938 • Fax: (562)529-2978 • Toll Free: (866)933-7736
 Email: info@espentech.com • www.espentech.com