



Model No.	VE218MVHRP-C
Ballast Type	Electronic
Family	Elite
Input Voltage	120/277V
Lamp Operation	Serial
Starting Method	Program Start

PRODUCT SPECIFICATIONS

ELECTRONIC BALLAST

Lamp Type	No. of Lamps	Input Voltage (V)	Input Current (A)	Input Power (W)	Power Factor	MAX THD (%)	Ballast Factor	Min. Starting Temp. (F)	Lamp Current Crest Factor	B.E.F.
CFQ18W/G24q	1	120/277	0.17/0.08	21	0.98	10	1.00	0	1.7	4.76
CFQ18W/G24q	2	120/277	0.33/0.15	40/39	0.98	10	0.95	0	1.7	2.38/2.44
CFTR18W/GX24q	1	120/277	0.17/0.08	21	0.98	10	1.00	0	1.7	4.76
CFTR18W/GX24q	2	120/277	0.33/0.15	40/39	0.98	10	0.95	0	1.7	2.38/2.44

Performance:

- Meets ANSI Standard C82. 11-2005
- Meets ANSI Standard C62. 41-2002
- Meets FCC Part 18

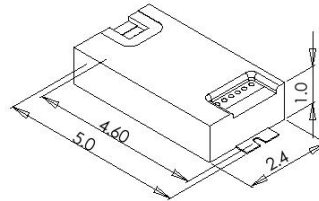
Safety:

- No PCB's
- UL and CUL Listed (Class P, Type 1 Outdoor)

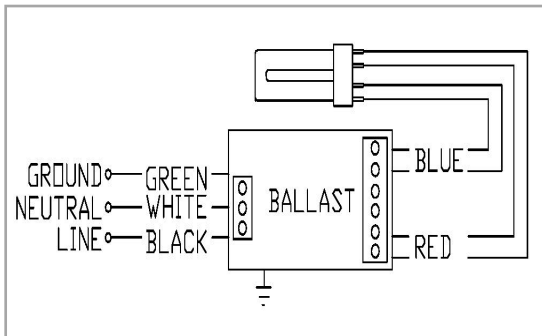
Application:

- Remote Mounting: 18ft. max. Lead length, 18AWG
- Maximum Ambient Temperature: 105F
- Sound Rated: A

Physical Parameters



Wiring Diagram



Enclosure

	in.
Length	5.0In
Width	2.4In
Height	1.0In
Mounting	4.60In
Weight	

Lead Length

	in.(+/-1.0)
Black	N/AIn
Wire White	N/AIn
Wire Red	
Wire Blue	N/AIn
Wire Yellow	N/AIn

Specification data is based on tests performed in a controlled environment and represents relative performance. Actual performance can vary depending on operating conditions. Application and performance data subject to change without notice. All specifications are nominal unless noted otherwise.

ESPEN Technology, Inc.

12257 Florence Ave. • Santa Fe Springs, CA 90670
 Phone: (562)529-2938 • Fax: (562)529-2978 • Toll Free: (866)933-7736
 Email: info@espentech.com • www.espentech.com