

Easily upgrade to LED from fluorescent.

Topstar PL CCT Selectable lamp offers you the option of choosing your color temperature directly on the lamp. With the flick of a switch, you can choose between 3 color temperatures ranging from warm(3000K) to coolwhite (4000K) prior to installing into your recessed housings. The base of the horizontal lamp can be rotated 270° to fit any socket configuration. It is the ideal replacement for the original CFL lamps, reducing inventory skus and choosing CCT easily prior to installation.

- 13W/18W/26W/32W/42W CFL replacement
- DLC qualified for energy saving (for G24q only)
- Extra long 50,000 Hours lifetime
- Rotatable Base, max 270° (horizontal lamp)
- Power factor ≥ 0.9
- 5 Years' warranty
- Operating Temperature: -20°C/-4°F to 35°C /95°F
- Excellent compatibility with most electronic ballasts (for G24q only)
- Non-Dimmable (G24d lamps)
- Not for Use in Fully Enclosed Fixtures
- Non-IC condition
- Compatible with G24d/GX24d & G24q/GX24q installations

Electrical and Technical Data (subject to change without notice)

Ordering Code	Bare Lamp Watt (W)	Initial Lumen *	Base	CRI Ra	Color Temp.	Rated Average life	MOL (in.)	Beam Angle	Orientation
** PLCH26G24Q-8CW-09P-P6-EB	9.5	1050	G24q	82	3000K/3500K/4000K	50,000	6.4	160	Horizontal
PLC26HG24D-8CW-08P-P6-HB	8.5	1050	G24d	82	3000K/3500K/4000K	50,000	6.4	160	Horizontal
** PLCV26G24Q-8CW-09P-P6-EB	9.5	1150	G24q	82	3000K/3500K/4000K	50,000	5.1	110	Vertical
PLCV26G24D-8CW-08P-P6-HB	8.5	1150	G24d	82	3000K/3500K/4000K	50,000	5.1	110	Vertical

* Initial lumen above is @ 4000K

** DLC 5.1 listed, work with electronic ballast only. For compatibility issues, pls check with TOPSTAR.

WIRING DIAGRAM

PLC26HG24D-8CW-08P-P6-HB

Diagram 1 – New fixture without ballast wiring

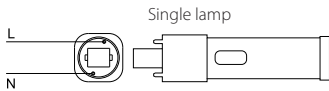


Diagram 2 – Electronic ballast fixture wiring modification

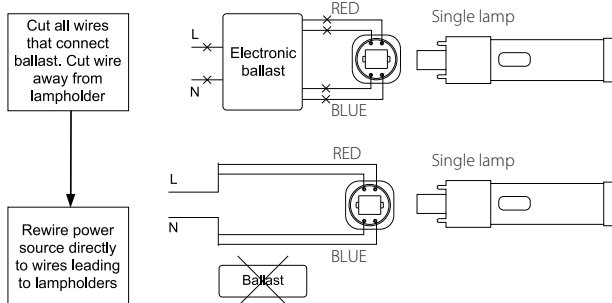


Diagram 3 – Magnetic ballast fixture wiring modification

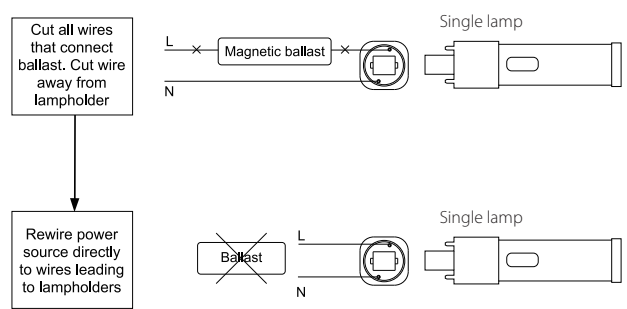
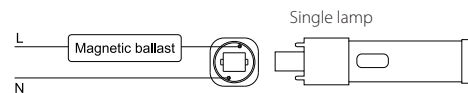


Diagram 4 – Magnetic ballast fixture without wiring modification



PLCV26G24D-8CW-08P-P6-HB

Diagram 1 – New fixture without ballast wiring

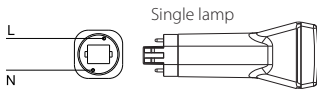


Diagram 2 – Electronic ballast fixture wiring modification

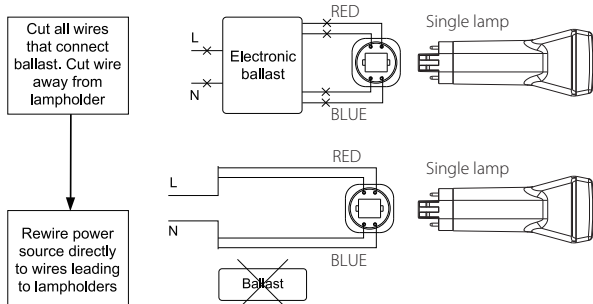


Diagram 3 – Magnetic ballast fixture wiring modification

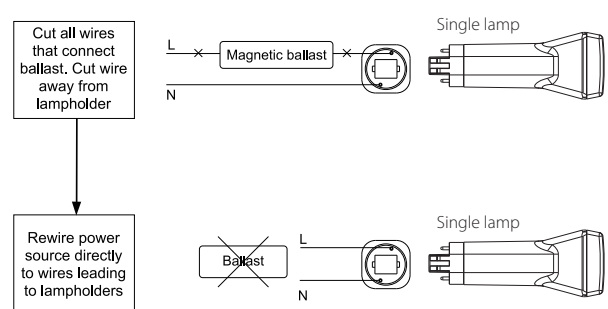
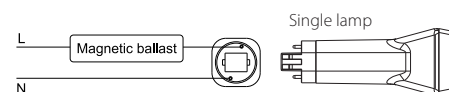


Diagram 4 – Magnetic ballast fixture without wiring modification



- 1) Read all WARNINGS before continuing this section.
- 2) Ensure fixture is 120-277V.
- 3) Make sure POWER IS TURNED OFF AT THE SOURCE.
- 4) Remove lens if applicable, remove cover and fluorescent lamp.
- 5) Before rewiring, check the ballast type and refer to the relevant diagram.
- 6) Before rewiring, please check the number of lamps per fixture and refer to the relevant diagram.
- 7) If fixture is new without ballast, please refer to Cf. Diagram 1.
- 8) If fixture ballast type is electronic, please refer to Cf. Diagram 2.
- 9) If fixture ballast type is magnetic please refer to Cf. Diagram 3.
- 10) If fixture ballast type is magnetic please refer to Cf. Diagram 4, installation without wiring modification.
- 11) This device is powered by two pins; Install lamp into the wired lampholder end.
- 12) Visibly affix "Modification Sticker" and reinstall housing cover and lens if applicable.
- 13) Return power back to source and installation is now complete.

PLCH26G24Q-8CW-09P-P6-EB / PLCV26G24Q-8CW-09P-P6-EB

1. Switch-off power to luminaire.
2. Remove the cover lens (if provided).
3. Carefully remove all existing CFL lamps from luminaire. Note: Verify that the ballast is compatible with LED PL lamps, see the ballast compatibility list.
4. Confirm the lampholder has a G24q or GX24q socket.
5. Insert the LED PL lamp into the open socket within the fixture. Ensure pins are firmly seated in the lampholder.
6. Switch on power to luminaire and installation is now complete.
7. Select desired color temperature.