



# LED High Bay Retrofit Lamps & Sensors

## Product Specifications



TCP's energy efficient LED High Bay lamps and sensors are an excellent choice for replacing traditional metal halide products. Damp location rated and designed for indoor use where low maintenance and high lumen output is required.

### Reasons to choose the LED High Bay lamps and sensors from TCP

- Uses less energy than traditional metal halide products
- 50,000 hour life minimizes replacement and maintenance costs
- UL approved for damp locations.
- Shatter resistant
- 120° beam angle for full light distribution
- Isolated driver for better heat dissipation
- Surge protection - all wattages have 4KV surge protection
- Sensor controls – several lamps can use daylight or motion sensing to control when lamps are on/off

### Ideal Applications

- Warehouses
- Factories
- Canopy Lights
- Gymnasiums
- Parking Garages
- Storage Facilities
- Large Conference Halls
- Event Centers
- Assembly Lines

### Specifications:

Color Temperatures .....4000K, 5000K  
 Wattage Replacements ..... 200W, 250W, 400W  
 Input Line Voltage ..... 120-277 VAC  
 Input Line Frequency..... 50/60HZ  
 Lamp Life (Rated) ..... 50,000 hours

Minimum Starting Temp ..... -40°C  
 Maximum Operating Temp..... 60°C  
 CRI..... ≥ 80  
 Surge Protection .....4kv

## Specifications



L60HBE2650XXK



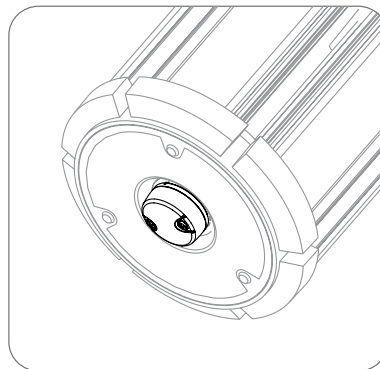
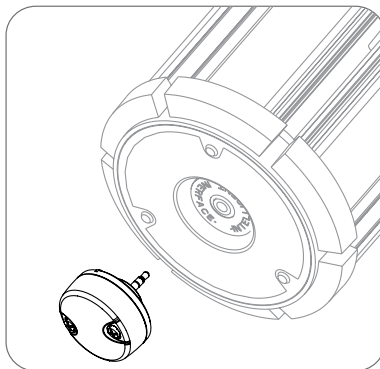
L80HBEX3950XXK



L115HBEX3950XXK

| ITEM #                          | DESCRIPTION         | METAL HALIDE EQUIVALENT | VOLTAGE    | BASE LAMP LUMENS | LED WATTS | LPW | CRI | COLOR TEMP | MOL (inches) | DIA (inches) | BEAM ANGLE | BASE | SENSOR COMPATIBLE | MASTER PACK |  |
|---------------------------------|---------------------|-------------------------|------------|------------------|-----------|-----|-----|------------|--------------|--------------|------------|------|-------------------|-------------|--|
| <b>LED High Bay Lamp Series</b> |                     |                         |            |                  |           |     |     |            |              |              |            |      |                   |             |  |
| L60HBE265040K                   | LED60 HB200 E264K   | 200                     | 120-277VAC | 8100             | 60        | 135 | 80  | 4000K      | 6.89         | 6.93         | 120°       | E26  | Yes               | 4           |  |
| L60HBE265050K                   | LED60 HB200 E265K   | 200                     | 120-277VAC | 8100             | 60        | 135 | 80  | 5000K      | 6.89         | 6.93         | 120°       | E26  | Yes               | 4           |  |
| L80HBEX395040K                  | LED80 HB250 EX394K  | 250                     | 120-277VAC | 10800            | 80        | 135 | 80  | 4000K      | 7.87         | 7.01         | 120°       | EX39 | Yes               | 4           |  |
| L80HBEX395050K                  | LED80 HB250 EX395K  | 250                     | 120-277VAC | 10800            | 80        | 135 | 80  | 5000K      | 7.87         | 7.01         | 120°       | EX39 | Yes               | 4           |  |
| L115HBEX395040K                 | LED115 HB400 EX394K | 400                     | 120-277VAC | 15525            | 115       | 135 | 80  | 4000K      | 9.06         | 7.01         | 120°       | EX39 | Yes               | 4           |  |
| L115HBEX395050K                 | LED115 HB400 EX395K | 400                     | 120-277VAC | 15525            | 115       | 135 | 80  | 5000K      | 9.06         | 7.01         | 120°       | EX39 | Yes               | 4           |  |

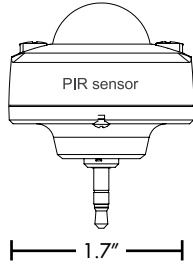
## Sensor Installation



## Specifications



**LHSIR001**



1.7"

### HID HB PIR Occupancy Sensor:

When connected to the TCP High Bay Lamp, the sensor delivers excellent motion detection. When no motion is detected, the TCP High Bay Lamp brightness will be switched to a preset Dim Level from 0 – 60%. When motion is detected, the TCP High Bay Lamp, brightness will be switched to 100% for a preset Hold Time.

#### Features:

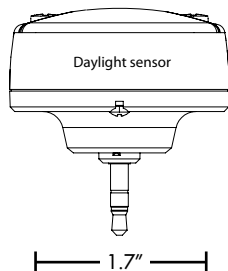
- Normal Motion Detecting
- Daylight Threshold
- Step Dimming
- Do not expose directly to water
- One module for one lamp
- Not suitable for enclosed luminaries
- Set the Dim Level and Hold Time before installation

|                          |                                |
|--------------------------|--------------------------------|
| Voltage.....             | 1.5V DC ± 2V                   |
| Output Voltage.....      | 0-10V                          |
| Current.....             | 20mA                           |
| Sensing Angle.....       | 120° (Installation Vertically) |
| Detecting Range.....     | Around Dia 10m                 |
| Standby Power Range..... | 0% - 60%                       |

|                            |                                |
|----------------------------|--------------------------------|
| Illuminance.....           | Around 300LUX                  |
| Operating Temperature..... | -20°C ~ + 35°C (-4°F~ + 95°F)  |
| Storage Temperature.....   | -20°C ~ + 40°C (-4°F~ + 104°F) |
| Hold Time Options.....     | 30S/90S/5Min/10Min             |
| IP Rating.....             | IP20                           |
| Warranty.....              | 5 Years                        |



**LHSDL001**



2.05"

### HID HB Daylight Sensor:

When connected to the TCP High Bay Lamp, the sensor delivers natural light detection. When the natural light level is below the Lux setting, the TCP High Bay Lamp will turn on for the preset Hold Time. When the natural light level is above the Lux setting, the TP High Bay Lamp will turn on.

#### Features:

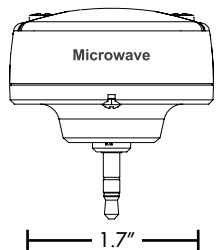
- Only Identify Natural Light
- Daylight Threshold
- One module for one lamp
- Set the Lux Level and Hold Time before installation

|                     |              |
|---------------------|--------------|
| Voltage.....        | 1.5V DC ± 2V |
| Output Voltage..... | 0-10V        |
| Current.....        | 20mA         |
| LUX Range.....      | 20-∞         |

|                            |                             |
|----------------------------|-----------------------------|
| Operating Temperature..... | -20°C~ + 60°C, -4°F~ + 14°F |
| IP Rating.....             | IP20                        |
| Warranty.....              | 5 Years                     |



**LHSMW001**



1.7"

### HID HB Microwave Occupancy Sensor:

When connected to the TCP High Bay Lamp, the sensor delivers 120° detection through objects and walls. When no motion is detected, the TCP High Bay Lamp brightness will be switched to a preset Dim Level from 0 – 60%. When motion is detected, the TCP High Bay Lamp brightness will be switched to 100% for a preset Hold Time.

#### Features:

- Normal Motion Detecting
- ON/OFF Function
- Step Dimming
- Do not expose directly to water
- One module for one lamp
- Not for outdoor use
- Set the Dim Level and Hold Time before installation

|                     |                                |
|---------------------|--------------------------------|
| Frequency.....      | 5.8 GHz ± 75MHz                |
| Voltage.....        | 1.5V DC± 2V                    |
| Output Voltage..... | 0-10V                          |
| Current.....        | 20mA                           |
| Transmit Power..... | 1mW                            |
| Sensing Angle.....  | 120° (Installation Vertically) |

|                            |                                |
|----------------------------|--------------------------------|
| Detecting Range.....       | Around Dia 10m                 |
| Operating Temperature..... | -20°C ~ + 60°C (-4°F~ + 140°F) |
| Storage Temperature.....   | -20°C ~ + 40°C (-4°F~ + 104°F) |
| IP Rating.....             | IP20                           |
| Warranty.....              | 5 Years                        |

# TECHNOLOGY CAST IN A BEAUTIFUL LIGHT

For over 20 years, TCP has been designing, developing and delivering energy-efficient lighting into the market. Thanks to our cutting-edge technology and manufacturing expertise, we have shipped billions of high quality lighting products. With TCP, you can count on a lighting product that is designed to meet the needs of the market - that transforms your surroundings and envelopes you in warmth - lighting that generates beauty with every flip of the switch.

For more information on the quality and care TCP can deliver, call us at **800.324.1496** or visit [tcp.com](http://tcp.com)

325 Campus Dr. | Aurora, Ohio 44202 | P: 800.324.1496 | F: 877.487.0516