

Stealth® UHET® Dual Flush

FEATURES AND BENEFITS

N7717EB-DF, N7714T-DF

Stealth Dual Flush – Ultra-High-Efficiency Toilet

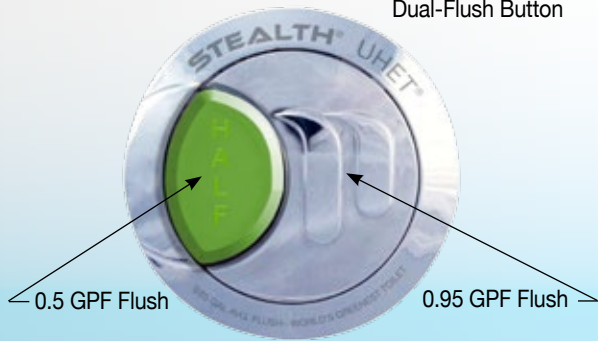
Green and Quiet

- Two efficient flush options – 0.95 GPF full and 0.5 GPF half
- Powerful flush delivered with a patented Stealth flush chamber and air transfer system
- Eliminates double flushing
- Two piece toilet
- No flapper to replace
- Fluidmaster 400A fill valve standard
- Easy to use flush buttons
- Large water surface
- Bowl cleared every time due to smooth, low friction ceramic surface
- Meets EPA criteria for WaterSense label
- Elongated bowl meets ADA height requirements.
- Fully glazed 2" trapway for enhanced flush performance
- Limited Lifetime Warranty*



0.65 Average GPF

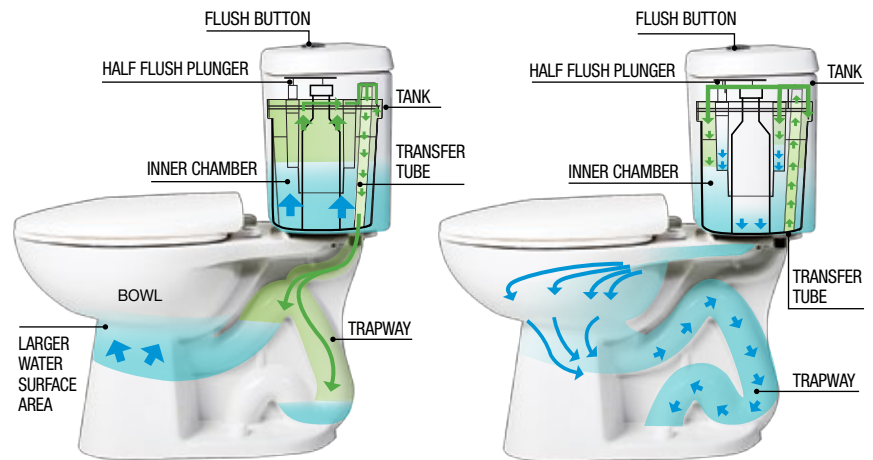
Dual-Flush Button



Stealth Vacuum-Assist Power Chamber Inside



STEALTH FLUSH TECHNOLOGY



FILLING

1. Water fills the tank and inner chamber, forcing air to the top of the chamber and down the transfer tube.
2. Air is forced through the transfer tube into the trapway exerting positive pressure on the water in the bowl. This pressurizes the trapway and creates a larger water surface area in the bowl.

■ AIR
■ WATER

FLUSHING

1. Flush button is depressed.
2. Inside the inner chamber, the exiting flush water creates a vacuum that depressurizes the trapway. When the half flush plunger is depressed the secondary chamber is sealed off creating a suction that prevents the water inside from being included in the flush. The plunger is spring loaded so the seal is held for several seconds after the main flush is clear.
3. This depressurization creates the suction force that pulls the wastewater into the trapway initiating the siphonic flush action.
4. Water empties from the tank cleansing the bowl and flushing waste down the trapway.
5. The trapway is completely filled producing an ultra highly efficient flush.

Corporate HQ

4200 Diplomacy Road
Fort Worth, TX 76155 USA
Toll Free: 800.831.8383
Phone: 817.391.0800 Fax: 817.391.0801
Email: info@nccgreen.com

© 2013 Niagara Conservation MSS7717EB-DF-04



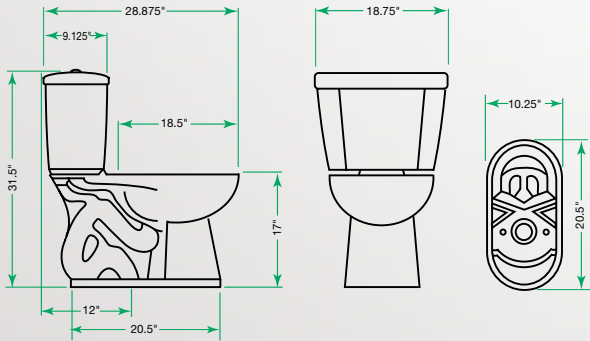
For more information please visit: www.NiagaraConservation.com

Stealth® UHET® Dual Flush

SPECIFICATIONS

N7717EB-DF, N7714T-DF

N7717EB-DF (Elongated Bowl)

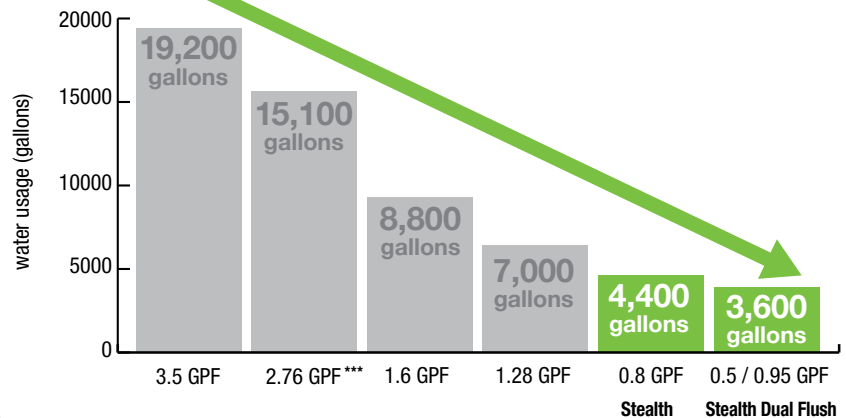


*Dimensions are subject to change

Overall Dimensions	Elongated: 17" high bowl
Footprint	20.5" x 10.25", Water Area 8" x 6"
Assembled Dimensions	N7717EB-DF Width 18.75" Depth 28.875" Height 31.5"
Rough In	12"
Materials	Vitreous China – White Finish Polished chrome top-mount flush actuator
Certifications	Meets or exceeds the following: ASME A112.19.2 / CSA B45.1, WaterSense labeled



Saves Over 80% More Water than Less Efficient Toilets**



**Annual water savings for Stealth based on a comparison to a 3.5 GPF toilet, 3-person household, 5 flushes per person/per day. Assumes the EPA WaterSense ratio of 2 reduced flushes for liquid waste for each full flush for solid waste.

*** 2.76 GPF represents the average flush volume of a toilet in the United States.

*LIMITED LIFETIME WARRANTY on vitreous china products. Toilet tank trim: fill valve and flush valve assembly and plumbing fittings are warranted for a period of ten years to the purchaser from the date of purchase. For complete warranty details, call Niagara Conservation at 1-800-831-8383.

Corporate HQ

4200 Diplomacy Road
Fort Worth, TX 76155 USA
Toll Free: 800.831.8383
Phone: 817.391.0800 Fax: 817.391.0801
Email: info@nccgreen.com

© 2013 Niagara Conservation MSS7717EB-DF-04



For more information please visit: www.NiagaraConservation.com

Stealth® UHET® Dual Flush

PACKAGING

N7717EB-DF, N7714T-DF

N7717EB-DF Packaging:

Kraft Corrugated



N7717EB-DF (ELONGATED BOWL)

Item No	N7717EB-DF
UPC Code	732291001144
Type of Packaging	Kraft Corrugated
Pack Quantities	One Per Carton
Dimensions Ea. Pkg.	Width 16.75" Height 18.75" Depth 30"
Weight Ea. Pkg.	40 lbs

N7714T-DF Packaging:

Kraft Corrugated



N7714T-DF Tank (fits N7717EB Elongated)

Item No	N7714T-DF
UPC Code	732291000239
Type of Packaging	Kraft Corrugated
Pack Quantities	One Per Carton
Dimensions Ea. Pkg.	Width 9.5" Height 16.5" Depth 19"
Weight Ea. Pkg.	37 lbs

Corporate HQ

4200 Diplomacy Road
Fort Worth, TX 76155 USA
Toll Free: 800.831.8383
Phone: 817.391.0800 Fax: 817.391.0801
Email: info@nccgreen.com

© 2013 Niagara Conservation MSS7717EB-DF-04



For more information please visit: www.NiagaraConservation.com