

8/5/2014

Mini LED Wallpack
MINILWPP Series
20 Watts: 1205 Lumens

Project:	
Catalog#:	
Approved by:	

LED Fixture

Features

- Energy Saving
- Comparable up to 70W HID using 20W LED
- 50,000 hour LED lifespan for maintenance-free operation

Specifications

Housing

- Bronze die-cast housing
- Aluminum die-cast heat fins for optimal thermal management

Lens

- Polycarbonate prismatic lens

LED

- 1,205 Lumens, 20W
- 61 Lm/W
- Color temp: 5000K
- CRI: 85+
- Min. Starting Temperature: -30°
- L70 Lifespan: 50,000+ hours
- Operates at 120V with Photocell (included standard)
120 - 277V without photocell

Mounting

- Mounts to a standard 4" electrical box

Certifications

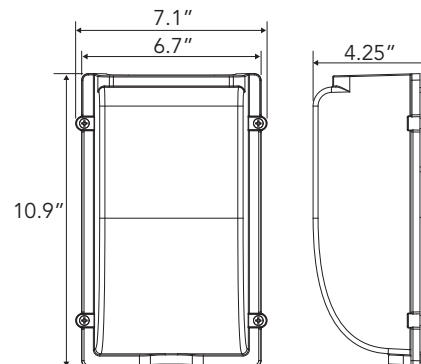
- UL/cUL Listed; suitable for wet locations

Warranty

- 5-Year Warranty

Applications

Ideal for commercial and residential outdoor applications - warehouses, entryways, perimeter, security, shopping centers, schools, and apartments



UPC Code	Model #	Input Wattage	Lumens	Driver	Voltage	HID Replacement
08179	MINILWPP20-120	20	1205	LED	120V	70W HID

Sample Ordering Number:
Howard MINILWPP20-120
Mini LED Wallpack
20W (1205 Lumens & 5000K color)
120 volts
Photocell included



Specifications subject to change without notice.

Howard Lighting Products

LED lighting facts
A Program of the U.S. DOE

Light Output (Lumens)	1205
Watts	19.64
Lumens per Watt (Efficacy)	61
Color Accuracy Color Rendering Index (CRI)	88
Light Color Correlated Color Temperature (CCT)	5223 (Daylight)

All results are according to IESNA LM-79-2008: Approved Method for the Electrical and Photometric Testing of Solid-State Lighting. The U.S. Department of Energy (DOE) verifies product test data and results.

Visit www.lightingfacts.com for the Label Reference Guide.

Registration Number: 4PUZBS (8/4/2014)
Model Number: MINILWPP20
Type: Luminaire - Area/Roadway