

# HBR Series LED High Bay Luminaire



## Jarvis HBR Series

- Low glare due to increased optical area
- Rated for both indoor and outdoor applications
- Available with pre-programmed motion sensor with daylight harvesting capabilities
- Power supply is thermally isolated from LEDs for lower operating temps

## Competitors' Products

- Reduced optical area increases glare
- Only rated for indoor applications
- Motion sensors require extra wiring, programming, and installation
- Power supply and LEDs not thermally isolated



## Most Popular Models and Specifications:

Catalog #	Description	DLC Product ID	Input	Power	Lumens	CCT	CRI	PF
HBR-13L-50K-BLK	High Bay w/ 0-10V Dimming - Black	PNHEF9BQ	120-277V 50/60Hz	97W	12,300	5000K	≥ 80	≥ .9
HBR-13L-50K-WHT	High Bay w/ 0-10V Dimming - White	PZFKH4WU	120-277V 50/60Hz	97W	13,700	5000K	≥ 70	≥ .9
HBR-19L-50K-BLK	High Bay w/ 0-10V Dimming - Black	PFPX91XF	120-277V 50/60Hz	140W	17,500	5000K	≥ 80	≥ .9
HBR-19L-50K-WHT	High Bay w/ 0-10V Dimming - White	PJXWBKJP	120-277V 50/60Hz	140W	19,100	5000K	≥ 70	≥ .9
HBR-23L-50K-WHT	High Bay w/ 0-10V Dimming - White	PDPU6UOV	120-277V 50/60Hz	180W	24,500	5000K	≥ 70	≥ .9
HBR-30L-50K-BLK	High Bay w/ 0-10V Dimming - Black	P4IAICWR	120-277V 50/60Hz	215W	30,000	5000K	≥ 80	≥ .9

Additional variants may be available. Contact a Jarvis representative for more information.

## Electrical

**Input Voltage:** 120-277V 50/60Hz

**Power Factor:** >.9 at full load

**Total Harmonic Distortion:** <20% full load

**Operating Temperature Range:** -40°C to 50°C Ambient (-40°F to 122°F)

Includes over voltage protection, over current protection, and short circuit protection.

## Controls and Dimming

1-10V dimming leads are default on all 120-277V input models and accessible outside fixture body.

The A311P PhotoMotion™ sensor is compatible with the HBR series and can be added to any HBR fixture order. The IP65 rated PhotoMotion™ sensor utilizes line voltage On/Off switching and 1-10V dimming to provide multi-level control based on both motion and/or ambient natural lighting levels.

The HBR Series is also compatible with many other photosensors and motion sensor systems. Contact a Jarvis representative for more information.



## Construction and Materials

Housing is constructed from die-cast aluminum

Die-cast housing features a powdercoat finish. Powdercoat finish is applied directly to aluminum housing and will not crack or peel. Default color is white. Black finishes are readily available as a standard color - please indicate at time of order by selecting “BLK” or “WHT” in the part number. Custom colors are available. Contact factory for additional color information.

Lens construction is a heat resistant polycarbonate

Luminaire's construction contains zero mercury

Fasteners are stainless-steel and will not rust or create rust-streaks



## Regulatory and Voluntary Qualifications

UL listed to UL1598 and UL8750 for both US and Canada

State of California Title 24 Compliant when installed in accordance with local requirements

DesignLights Consortium® (DLC) qualified product. Not all versions of this product may be DLC qualified. Please check the DLC Qualified Products List at [www.designlights.org/QPL](http://www.designlights.org/QPL) to confirm which versions are qualified.

Rated for Wet and Dry Locations

Certain models qualify as assembled in Illinois.

Contact a Jarvis representative for more information

*HBR-19L/23L*



## Warranty and Lifetime

HBR Series carries a 10-year warranty, sensors and photo control warranty may differ from fixture. Contact Jarvis representative for details.

Lifetime projections are calculated using data including LM-79, LM-80 and TM-21 calculations. Contact Jarvis representative for details.

*HBR-13L with PhotoMotion™ Sensor*



*HBR-13L-BLK*



## Installation

Luminaire can be installed via pendant mount in 3/4" conduit or included hook mount.

Contact a Jarvis Representative for full installation instructions, videos or additional information.

## Accessories:

Catalog #	Description
A311P	PIR Bi-level Dimming PhotoMotion™ Sensor

Contact a Jarvis representative for information regarding our PhotoMotion™ sensors.



## Photometrics

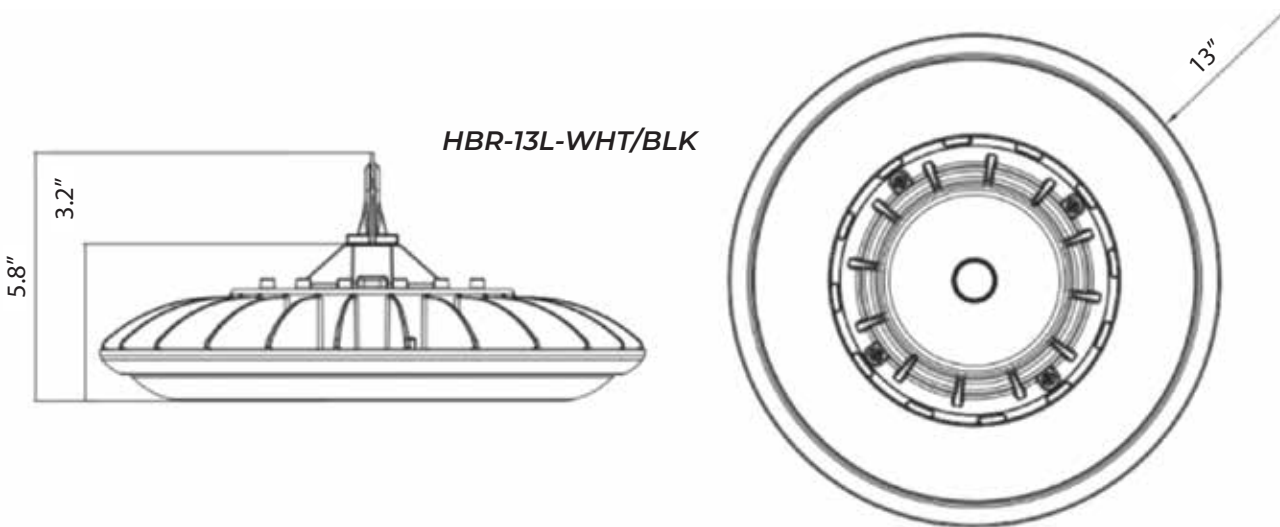
Photometric information, including LM-79 reports and .IES files are available for most models at [www.jarvislighting.com](http://www.jarvislighting.com). Site photometrics and lighting layouts are available. Contact a Jarvis representative.



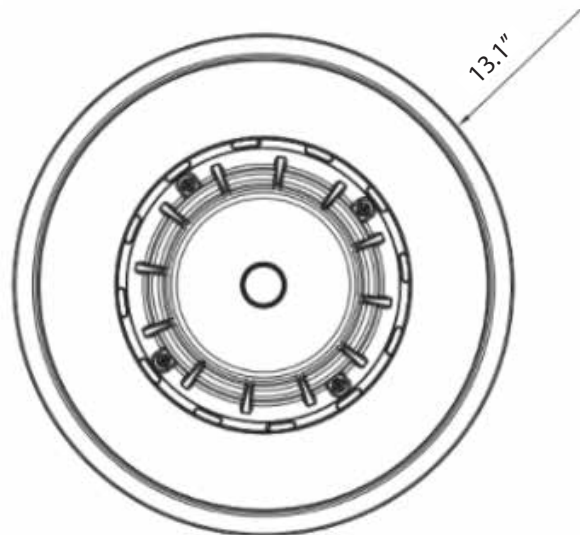
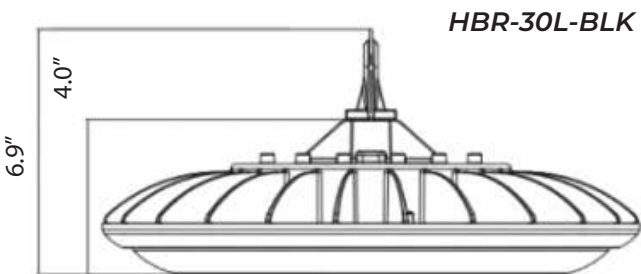
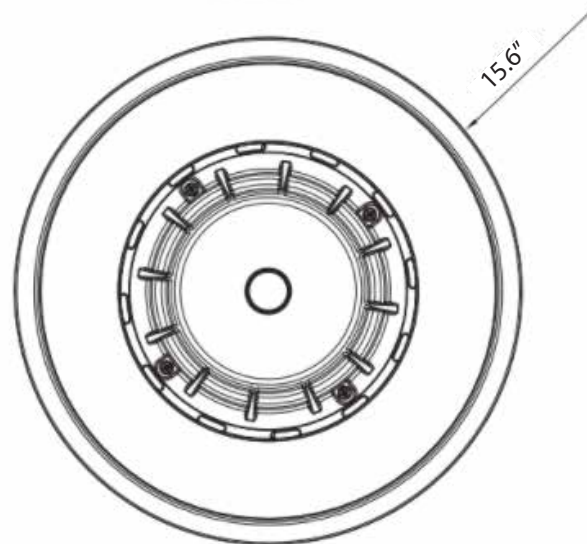
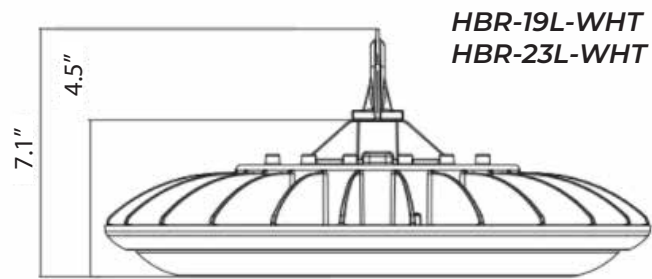
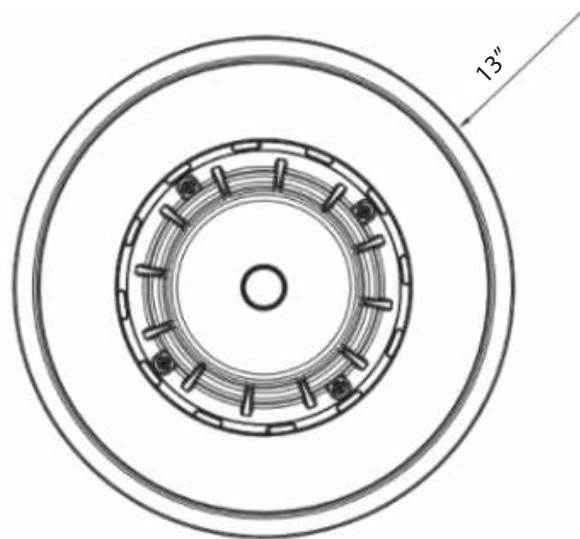
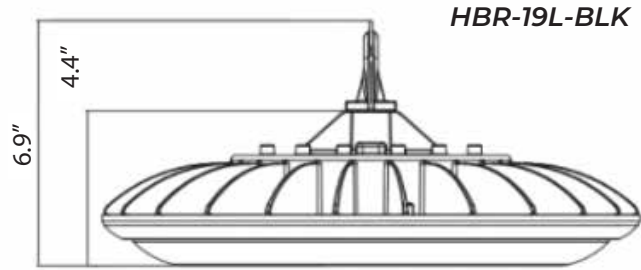
## Product Weight:

Catalog #	Weight
HBR-13L-50K-BLK	6.0lb
HBR-13L-50K-WHT	6.0lb
HBR-19L-50K-BLK	6.3lb
HBR-19L-50K-WHT	9.2lb
HBR-23L-50K-WHT	9.5lb
HBR-30L-50K-BLK	6.6lb

## Dimensions:



**Dimensions:**



**BRIGHT DONE RIGHT™**