

A51-A Series LED High Bay Luminaire



Jarvis A51-A Series

Cooler operating temperatures because of unique heat-radiating fin design

Professional light distribution design with high lens pass rate ensure maximum illumination with reduced glare

Power supply is balanced on center of fixture so fixture hangs straight

Competitors' Products

Not designed for improved thermal operating temperature reduces fixture lifetime

Poor optics produce a high level of unwanted glare

Power supply is not centered, so fixtures need to be balanced to hang straight



Most Popular Models and Specifications:

Catalog #	Description	DLC Product ID	Input	Power	Lumens	CCT	CRI	PF
A51-A-15L-50K-90-DM	150 lm/w High Bay w/ 90° Beam Angle	P9BD74IR	100-277V 50/60Hz	100W	15,000 lm	5000K	≥ 80	≥ 0.9
A51-A-15L-50K-90-DTO	150 lm/w High Bay w/ 90° Beam Angle Dim-To-Off Driver	P9BD74IR	100-277V 50/60Hz	100W	15,000 lm	5000K	≥ 80	≥ 0.9
A51-A-22L-50K-90-DM	150 lm/w High Bay w/ 90° Beam Angle	PA3XAYJH	100-277V 50/60Hz	150W	22,500 lm	5000K	≥ 80	≥ 0.9
A51-A-22L-50K-90-DTO	150 lm/w High Bay w/ 90° Beam Angle Dim-To-Off Driver	PA3XAYJH	100-277V 50/60Hz	150W	22,500 lm	5000K	≥ 80	≥ 0.9
A51-A-30L-50K-90-DM	150 lm/w High Bay w/ 90° Beam Angle	P8SE1EU	100-277V 50/60Hz	200W	30,000 lm	5000K	≥ 80	≥ 0.9
A51-A-30L-50K-90-DTO	150 lm/w High Bay w/ 90° Beam Angle Dim-To-Off Driver	P8SE1EU	100-277V 50/60Hz	200W	30,000 lm	5000K	≥ 80	≥ 0.9
A51-A-36L-50K-90-DM	150 lm/w High Bay w/ 90° Beam Angle	PHHT3B08	100-277V 50/60Hz	240W	36,000 lm	5000K	≥ 80	≥ 0.9
A51-A-36L-50K-90-DTO	150 lm/w High Bay w/ 90° Beam Angle Dim-To-Off Driver	PHHT3B08	100-277V 50/60Hz	240W	36,000 lm	5000K	≥ 80	≥ 0.9





Electrical

Input Voltage: 100-277V 50/60Hz

Power Factor: >.9 at full load

Total Harmonic Distortion: <20% full load

Includes over voltage protection, overcurrent protection, and short circuit protection.

Operating Temperature Range: -40°C to 45°C Ambient (-40°F to 113°F)

Controls and Dimming

0-10V dimming leads are default on all 100-277V input models and accessible outside fixture body. A51-A series features a power supply capable of providing 12VDC auxiliary output power for a variety of accessories.

A51-A “DTO” models feature a dim-to-off driver and are compatible with networked lighting control systems. These systems allow the lights to communicate with each other via Bluetooth® signal. Systems are typically capable of grouping, controlling and dimming lights through a number of methods including motion sensors, photo sensors, schedules, manual Bluetooth switches and more.

All A51-A models are compatible with Jarvis Lighting’s PhotoMotion™ sensors. Both Microwave or PIR PhotoMotion™ sensors are available. PhotoMotion™ sensors provide multi-level control based on both motion and/or ambient natural lighting levels and can be custom programmed via remote control.

The A51-A Series is also compatible with many other photo sensors and motion sensor systems. Contact a Jarvis representative for more information

Construction and Materials

Housing is constructed from die-cast aluminum.

Die-cast housing features a powdercoat finish. Powdercoat finish is applied directly to aluminum housing and will not crack or peel. Default color is black. Custom colors are available. Contact factory for additional color information.

Lens construction is a shatter resistant polycarbonate with a 90° beam angle.

LEDs are reflow soldered to a metal core circuit board, providing greater thermal transfer than standard circuit board materials. The LED circuit board is secured to fixture body by utilizing both stainless steel fasteners and thermally conductive tape to further increase thermal transfer and improve performance.

Luminaire’s construction contains zero mercury

Fasteners are stainless-steel and will not rust or create rust-streaks

Ordering Guide

Example: A51-A-22L-50K-90-DTO

Product Family	Lumen Output	CCT	Beam Angle	Dimming Capability
A51-A	15L - 15,000 lumens (100W)	40K - 4000K	90 - 90° beam angle	DM - 0-10V dim
	22L - 22,500 lumens (150W)			
	30L - 30,000 lumens (200W)	50K - 5000K		DTO - 0-10V dim-to-off
	36L - 36,000 lumens (240W)			

Regulatory and Voluntary Qualifications

UL listed to UL1598 and UL8750 for both US and Canada

State of California Title 24 Compliant when installed in accordance with local requirements

DesignLights Consortium® (DLC) Premium qualified product. Not all versions of this product may be DLC qualified. Please check the DLC Qualified Products List at www.designlights.org/QPL to confirm which versions are qualified.

Rated for Wet and Dry Locations



Installation

Luminaire can be installed via pendant mount or included hook. Luminaire features 6' power cable and 9" dimming and 12v aux power wire leads to ease installation.

Contact a Jarvis Representative for full installation instructions, videos or additional information.

Accessories:

Catalog #	Description
A328M	Microwave PhotoMotion™ Sensor
A329	Remote Control for A328M PhotoMotion™ Sensor
A336P	PIR PhotoMotion™ Sensor
A315	Remote Control for A336P PhotoMotion™ Sensor

Contact a Jarvis Representative for full installation instructions, videos or additional information.

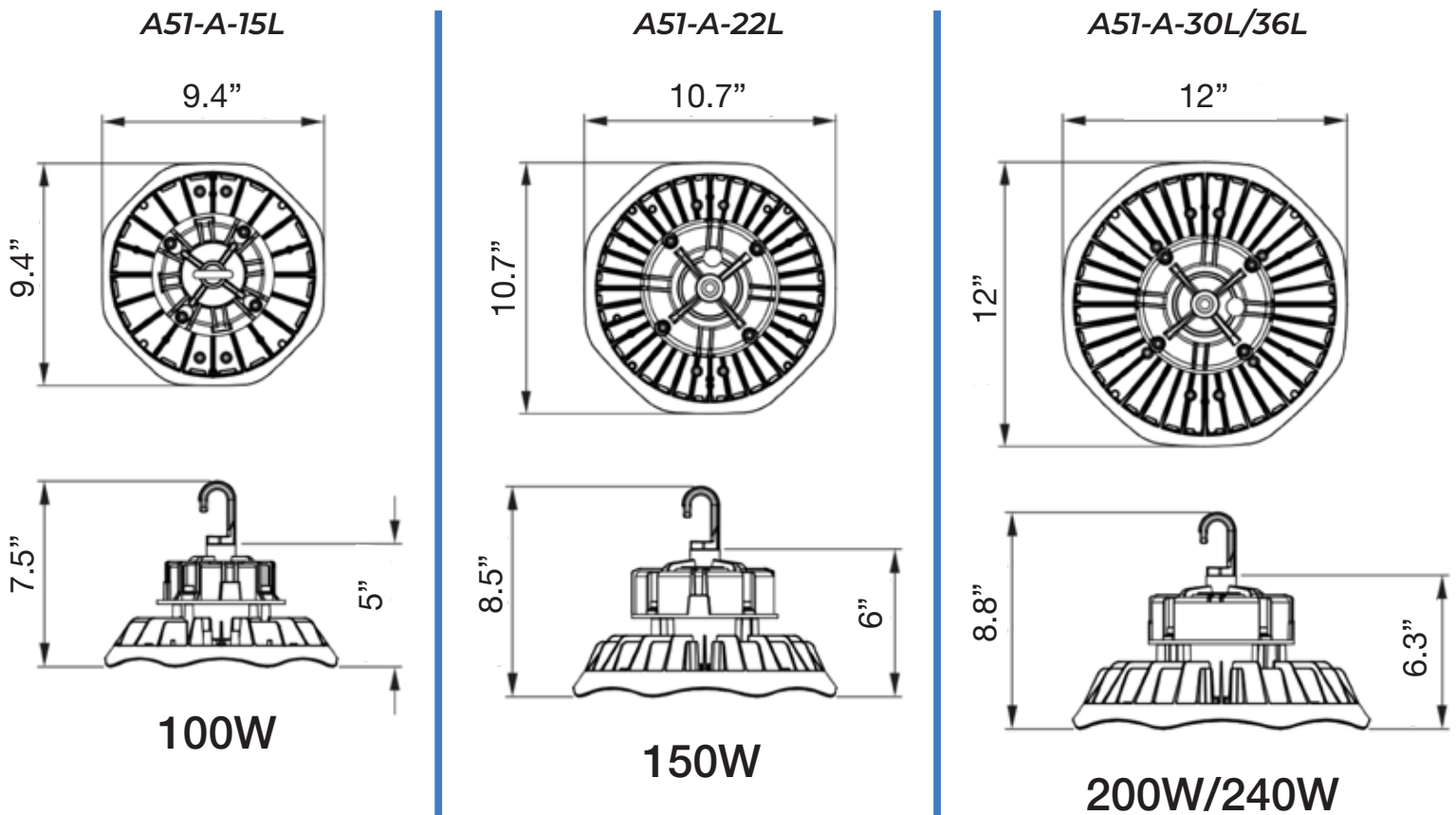
Photometrics

Photometric information, including LM-79 reports and .IES files are available for most models at www.jarvislighting.com. Site photometrics and lighting layouts are available. Contact a Jarvis representative.

Product Weight:

Part Number	Weight
A51-A-15L	4.0 lbs
A51-A-22L	5.5 lbs
A51-A-30L/36L	7.5 lbs

Dimensions:



BRIGHT DONE RIGHT™

