

Project:	Catalog#:	Type:
Prepared By:	Notes:	Date:

E3HBD

LED Linear Highbay Fixture
50,000 System Lifetime • 10 Year Limited Warranty



Overview

Energetic's E3HBD series are ideal for any replacement of HID and linear fluorescent highbay lighting ideal for warehouse and industrial applications. The E3HBD fixture lighting provides boosted productivity for any location from gymnasiums to manufacturing lighting and even retail aisles. Energetic's E3HBD series distinctive product design is sought after for its energy efficiency, light consistency, and lifetime endurance. Available in 65W, 105W, 155W, 210W, and 300W variants, designed to replace traditional 250W-400W T8 fluorescent equivalent highbay fixtures. Constructed out of steel to provide a strong housing structure and as an integrated thermally efficient heatsink profile, each fixture is rated for a minimum L70 of 50,000 hours. A standard polycarbonate diffuser ensures a reduction of glare and illumination.

Features

- Clean extrude aluminum look
- Input voltage: 120-277Vac, 60 HZ
- Dimmable with 0-10V systems
- Minimum 70% lumen maintenance @ 54,000 hours -L70/51,000 (per TM21)v
- 1/2" trade sized knock out at both ends
- 12V Sensor Twist and lock design
- Driver and arrays isolated for heat control
- Easy and secure installation

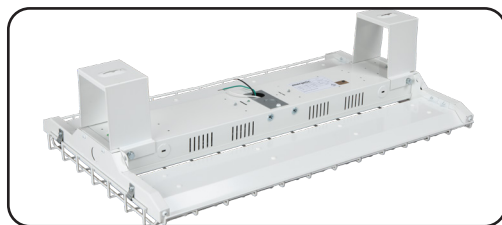
Applications

- Warehouses
- Distribution Centers
- Convention Centers
- Industrial Applications
- Gymnasium
- Retail Stores

Highlights



NEW key feature of abilities for sensors have been added to accommodate new energy saving capabilities with new Bluetooth Microwave Motion Sensor.



Drivers and array isolated for heat control. Constructed out of steel to provide a strong housing structure and as an integrated thermally efficient heat sink profile.



E3HBD continues to out perform and illuminate a wide variety of workshops, warehouses, and exhibition halls. E3HBD lumenosity's provides a big boost to productivity for just about any kind of location that is needed.

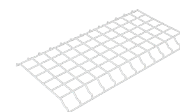
Mounting



E2HBD-PMK
E2HBD Pendant Mount Kit



E2HBD-SMK
E2HBD Surface Mount Kit



E2HBD Wire Guard A | E2HBD Wire Guard B | E2HBD Wire Guard C
(A 105W & 155W), (B 210W), (A 300W)

Sensors



E1MS-SMW-LVP
Microwave Motion Sensor
12V Plug-in (Aux jack)



E1MS-SMW-RC
Remote Control
for E1MS-SMW-LVP



E1MS-SBTMW-LVP
Bluetooth Microwave Motion
Sensor 12V Plug-in (Aux jack)

Load Information

Input Voltage	120 Vac
Power Factor	>0.9
THD	<20%
Low Temp Start	-20°C (-4°F)
Max Temp	50°C (122°F)
Unit Weight	2FT 4.2 lbs 2FT 5.6 lbs 4FT 9.2 lbs

Shipping Information

Item	Weight	Box Qty.
2FT	10 lbs	1 per pack
2FT	12.1 lbs	1 per pack
4FT	20 lbs	1 per pack

Lumen Maintenance

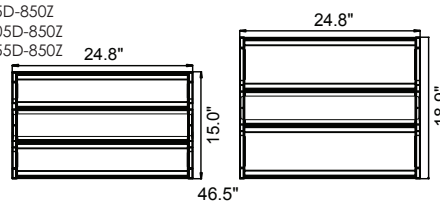
Housing Type	Ambient Temperature	TM-21 Lumen Maintenance (50,000 hours)	Theoretical L70 (hours)
2FT profile	25°C	>90.55%	54,000
2FT profile	25°C	>90.29%	54,000
4FT profile	25°C	>91.41%	54,000

Dimensions

2FT, 4FT Profile

- E3HBD65D-850Z
- E3HBD105D-850Z
- E3HBD155D-850Z
- E3HBD210D-850Z
- E3HBD300D-850Z

E3HBD65D-850Z
E3HBD105D-850Z
E3HBD155D-850Z



E3HBD210D-850Z

E3HBD300D-850Z

Model Ordering Number

Series Prefix	Wattage	Dimming	CRI	CCT	Port
E3HBD	105	D	8	50	Z
E3HBD Energetic Linear Highbay fixture	65 65W 105 105W 155 155W 210 210W 300 300W	D 0-10V Dimmable (default)	8 80 CRI	40 4000K 50 5000K	Z Aux Input Port

Ordering Examples:

1. For E3HBD 105W 5000K Fixture 100-277V	Model#: E3HBD105D-840Z
2. For E3HBD 105W 5000K Fixture 100-277V with Wire Guard 105W" + 12V Microwave Motion Sensor E1MS-SMW	Model#: E3HBD105D-840Z
REFER TO PAGE 4 FOR MOUNTING & SENSOR OPTIONS	Wire Guard 105W E2HBD-WG-A
	Microwave Motion Sensor 12V Plug-in (Aux jack) E1MS-SMW-LVP

STOCK ORDER INFORMATION

2FT Profile 100-277V

Model Number	Order #	Lumens	Wattage	LPW	Color Temp	CRI	Voltage	Dimming	DLC	Pallet Qty
E3HBD65D-850Z	81070	8419LM	65W	136	5000k	82	120-277V	0-10V	5.1 P	120
E3HBD105D-850Z	81071	14280LM	105W	136	5000k	82	120-277V	0-10V	5.1 P	120
E3HBD155D-850Z	81072	21080LM	155W	136	5000k	82	120-277V	0-10V	5.1 P	120

2FT profile 100-277V

Model Number	Order #	Lumens	Wattage	LPW	Color Temp	CRI	Voltage	Dimming	DLC	Pallet Qty
E3HBD210D-850Z	81073	28560LM	210W	136	5000k	82	120-277V	0-10V	5.1 P	60

4FT profile 100-277V

Model Number	Order #	Lumens	Wattage	LPW	Color Temp	CRI	Voltage	Dimming	DLC	Pallet Qty
E3HBD300D-850Z	81074	40800LM	300W	136	5000k	82	120-277V	0-10V	5.1 P	60

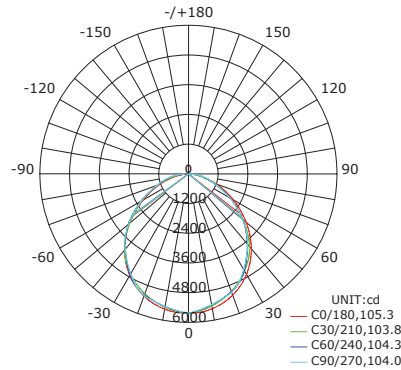
Optional Accessories

Model Number	Order #	Description
E2HBD-PMK	81050	Pendant Mount Kit
E2HBD-SMK	81051	Surface Mount Kit
E2HBD-WG-A	81052	Wire Guard (105W & 155W)
E2HBD-WG-B	81053	Wire Guard (210W)
E2HBD-WG-C	81054	Wire Guard (300W)
E1MS-SMW-LVP	98027	Microwave Motion Sensor 12V plug-in (Aux Jack)
E1MS-SBTMW-LVP	98028	Bluetooth Smart Integrated Motion Sensor 12V plug-in (Aux Jack)
E1MS-SMW-RC	80026	Remote for E1MS-SMW-LVP sensor
EFS06R	98015	Microwave OCC Sensor
EFS06RC	98014	Remote Controller for EFS06R Sensor

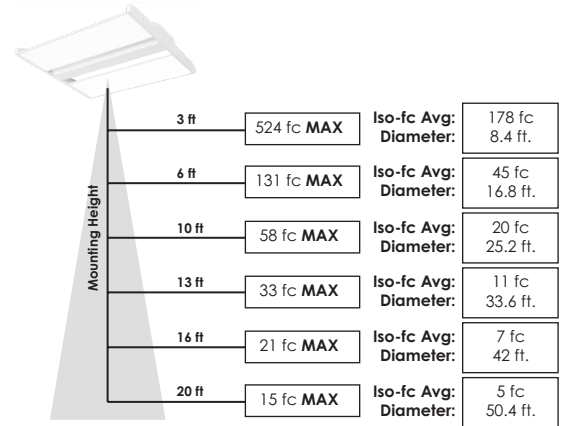
PHOTOMETRIC DATA

Model: E3HBD105D-850Z
 Test Report: E3HBD105D-850Z.ies
 CCT: 5000k
 Lamp Type: LED
 Lumens: 14230 LM
 Input Watts: 105 W
 Efficacy: 136 LM/W

**Lumen Intensity Graph:
E3HBD105D-850Z**

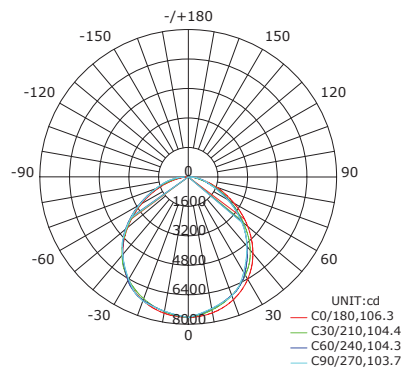


AVERAGE BEAM ANGLE(50%):104.3 DEG

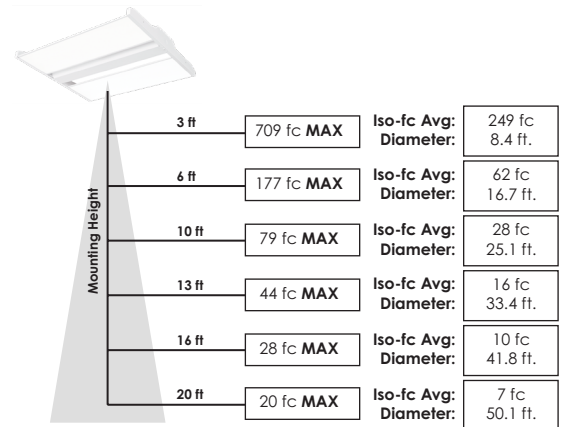


Model: E3HBD155D-850Z
 Test Report: E3HBD155D-850Z.ies
 CCT: 5000
 Lamp Type: LED
 Lumens: 20080 LM
 Input Watts: 150.3 W
 Efficacy: 136 LM/W

**Lumen Intensity Graph:
E3HBD155D-850Z**

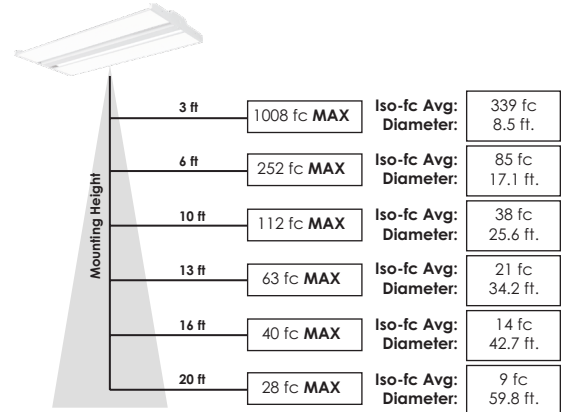
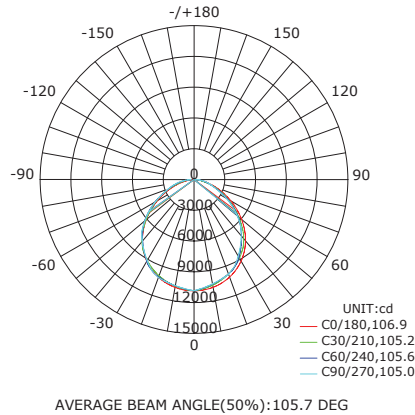


AVERAGE BEAM ANGLE(50%):104.7 DEG



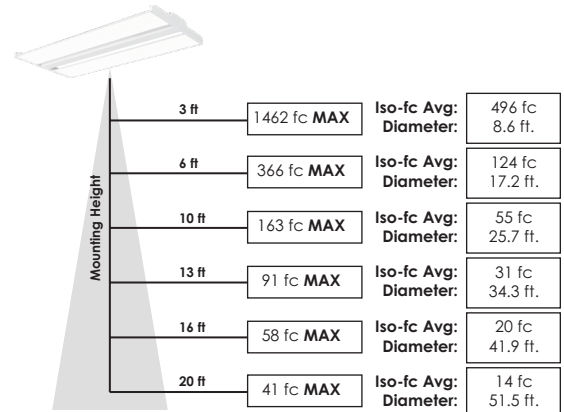
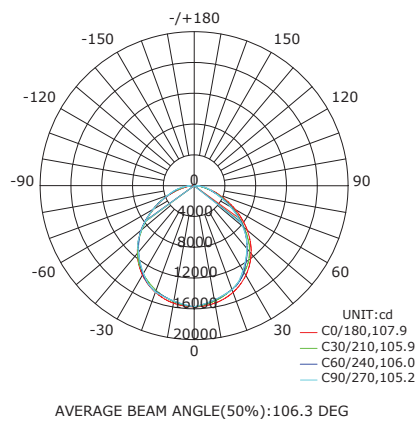
Model: E3HBD210D-850Z
 Test Report: E3HBD210D-850Z.ies
 CCT: 5000
 Lamp Type: LED
 Lumens: 27772.7 LM
 Input Watts: 210.05 W
 Efficacy: 135.79 LM/W

**Lumen Intensity Graph:
E3HBD210D-850Z**



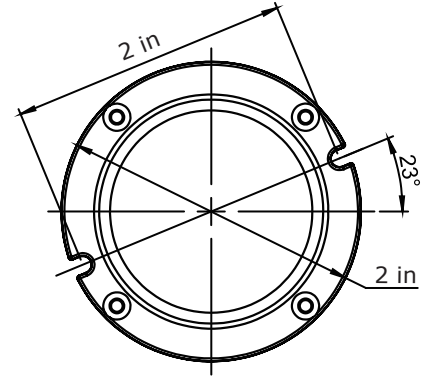
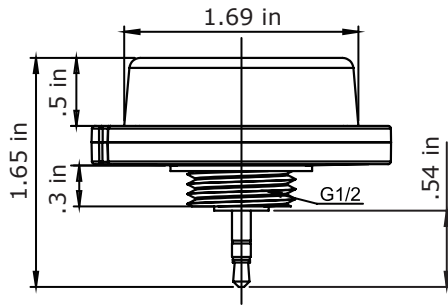
Model: E3HBD300D-850Z
 Report: E3HBD300D-850Z.ies
 CCT: 5000
 Lamp Type: LED
 Lumens: 41287.4 LM
 Input Watts: 294.15 W
 Efficacy: 1140.36 LM/W

**Lumen Intensity Graph:
E3HBD300D-850Z**

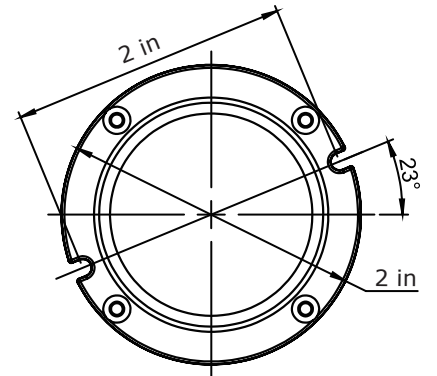
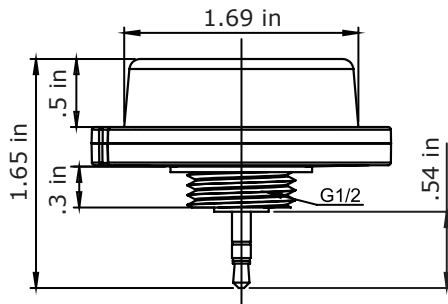


Accessories Dimesions

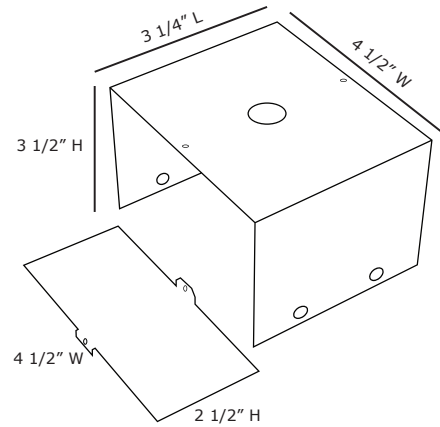
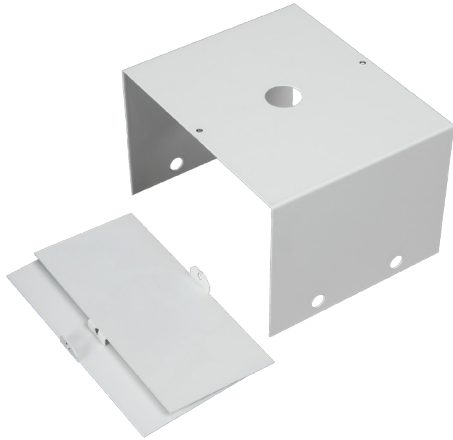
12V Microwave Motion Sensor E1MS-SMW-LVP



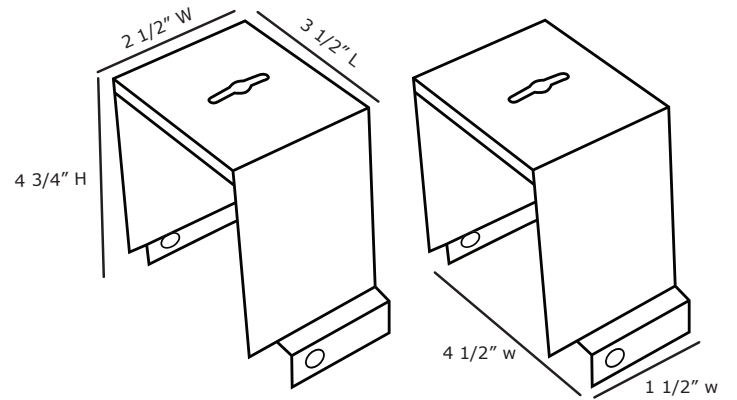
12V Bluetooth Microwave Motion Sensor Sensor E1MS-SBTMW-LVP



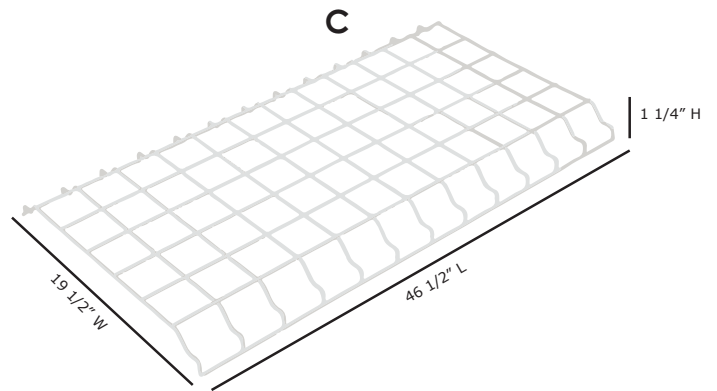
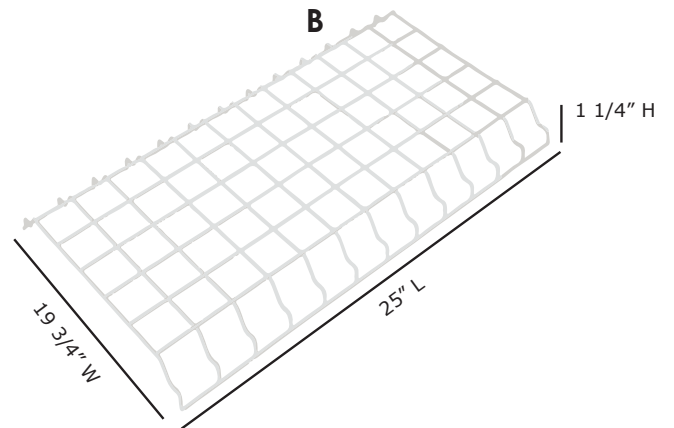
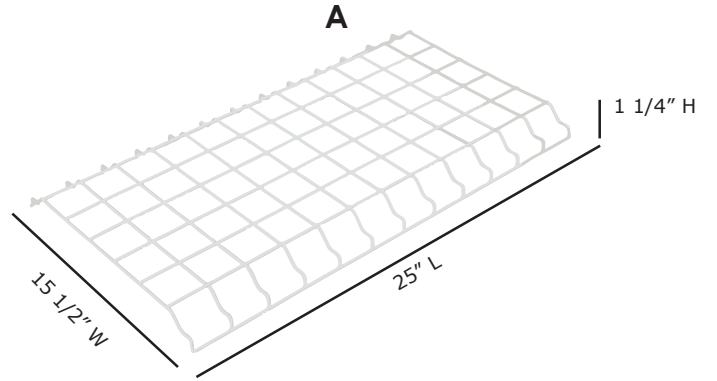
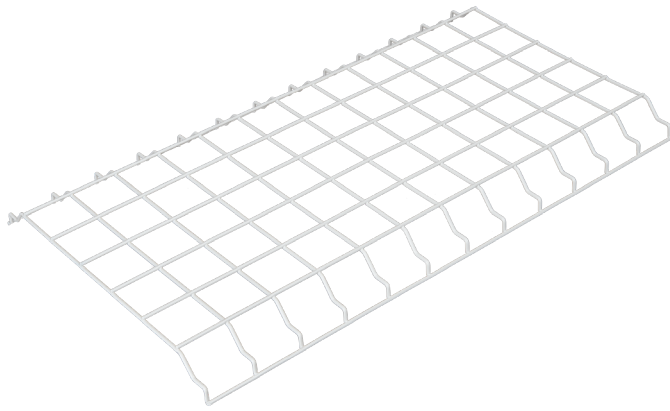
E2HBD-PMK Pendant Mount Kit



E2HBD-SMK E2HBD Surface Mount Kit



E2HBD Wire Guard A | E2HBD Wire Guard B | E2HBD Wire Guard C (A 105W & 155W), (B 210W), (A 300W)





ENERGETIC
L I G H T I N G

E3HBD

LED Linear Highbay Fixture
50,000 System Lifetime • 10 Year Limited Warranty

NOTES: