

## OVERVIEW

Niagara Conservation's pre-rinse spray valve produces a vigorous spray pattern that offers high performance and water-saving efficiencies. The rinser uses only 0.68 GPM and is certified by the Food Services Technology Center.



## KEY FEATURES

- Solid brass fitting means no leaks
- Interchangeable with all brands
- Standard, protective, full surrounding dish guard bumper
- Convenient always-on handle clip for constant flow



## CERTIFICATION & PERFORMANCE REQUIREMENTS

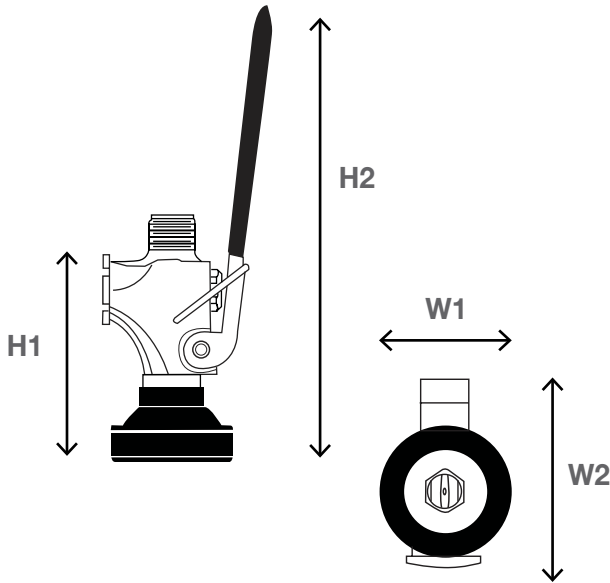
- ASME A112.18.1 / CSA B125.1; ANSI/NSF 61

## SPECIFICATIONS

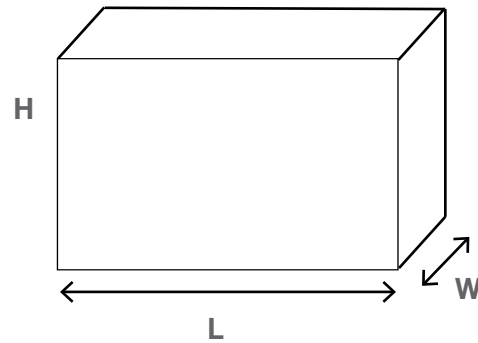
CATALOG #	FINISH	COLOR	FLOW RATE
N2180-0.68	Chrome	Green	0.68 GPM

### DIMENSIONS

#### PRODUCT



#### PACKAGING



CATALOG #	H1	H2	W1	W2
N2180-0.68	4"	7.5"	2"	2.9"

CATALOG #	L	W	H	CASE QTY	GROSS WT
N2180-0.68	8.8"	13"	12"	20	28.05 lbs.

### 5-YEAR LIMITED WARRANTY

AM Conservation Group, Inc.® guarantees to the original purchaser or recipient of a spray valve that it is free from defects in material and workmanship for a period of 5 years. AM Conservation Group, Inc.® will at our choice replace any part of the spray valve which is in our opinion defective provided that the product has not been abused, misused, altered, or damaged after its purchase. This includes damage due to the use of tools or harsh chemicals. In the event a product has been discontinued, AM Conservation Group, Inc.® will replace it with what we determine to be the closest product. AM Conservation Group, Inc.® is not responsible for labor charges, installation, or other consequential cost. AM Conservation Group, Inc.®'s responsibility shall not exceed the original cost of the product.

#### For warranty claims, please contact:

customer@amconservationgroup.com

#### To learn more, please visit:

www.amconservationgroup.com