

# Ellegra

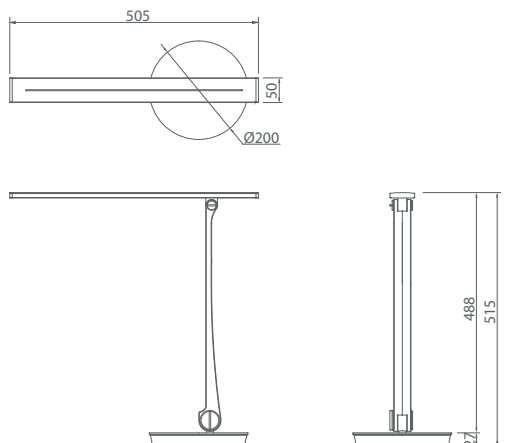
## LED Desk Lamp



### GENERAL SPECIFICATIONS

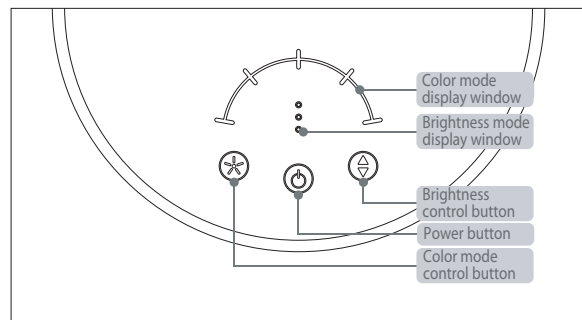
	ST002
Power Consumption	17 W
Voltage	100 ~ 240V
Operating Temperature	-20 °C ~ 80 °C
Dimension	505 X 200 X 515
Weight	3.40 kg
Color Temperature	2,500K ~ 6,000K
CRI	70 / 80 / 90 Optional
Illuminance	650Lux ~ 950 Lux
Lifespan	50,000 hours
Finish	Anodizing
Warranty	5 Year Limited
Certification	N/A

### DIMENSION



### OPERATION GUIDE

#### Control part



#### Button operation explanation (touch sensor type)

- Light on : Press and hold until it is on (less than 1 seconds)
  - If you press indication during light out, it is light on.
  - If you press indication during light on, the color mode changes. If you press repeatedly, you can move to a desired color mode.
- Light out
  - If you press indication during light on, it is turned off.
- Last call function
  - It remembers previous color during light out, it is light on in the previous color mode.
- Reset function
  - After reconnect power it is light on to the initial condition (4,000K).
- Ex) When turned off in a color mode of 2,500K, it is lighted in a 2,500K mode at time of turn on.  
When turned off in a color mode of 2,500K and then reconnect the power, it is lighten on to 3rd step (4,000K).
- Brightness control
  - When press indication during light on, brightness is controlled through 1-3 steps by each color mode.